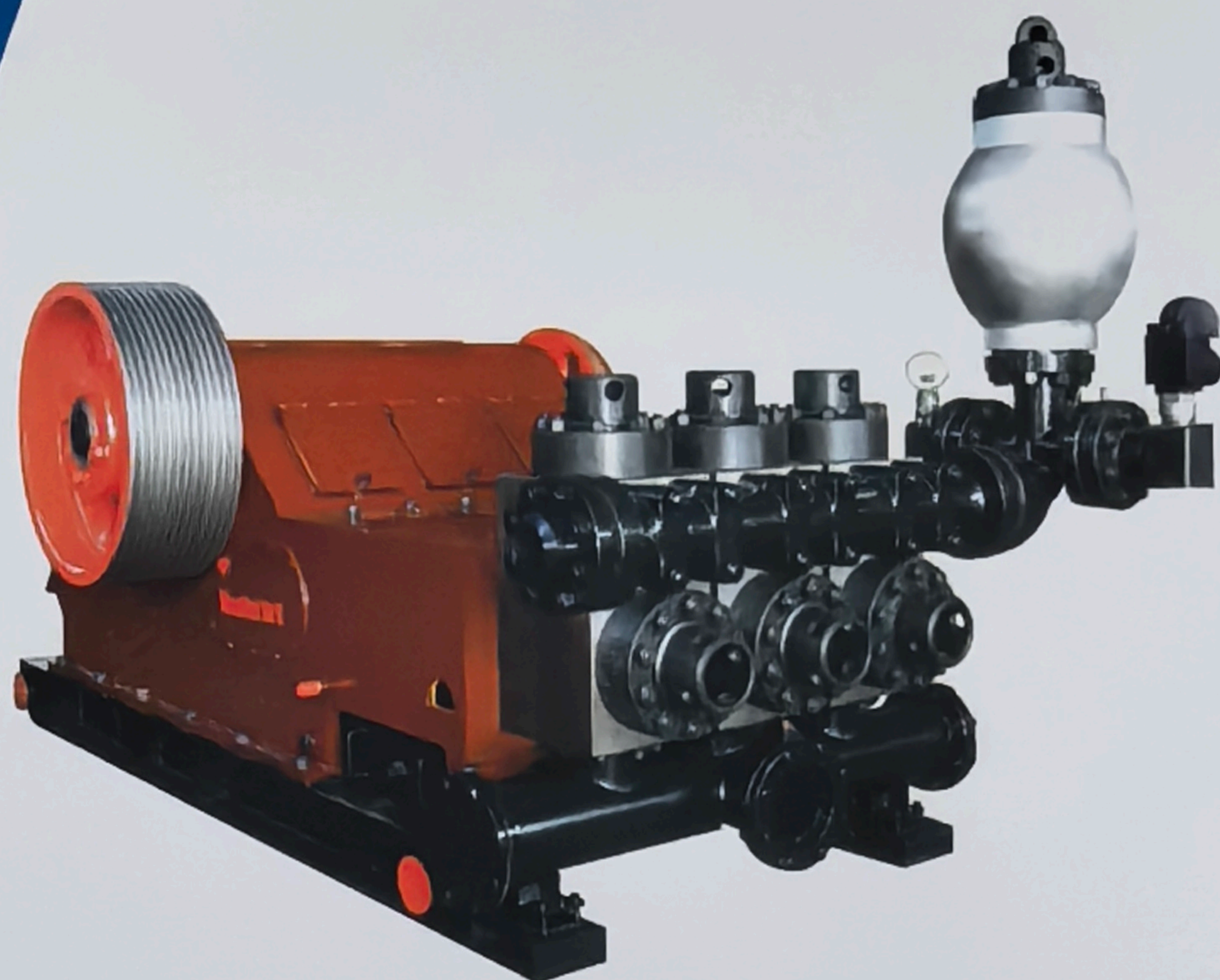




运星机械
YUNXING MECHINERY



3NB系列泥浆泵

3NB series earth pump

中国·宁波
NINGBO CHINA



运星机械
YUNXING MECHINERY

3NB系列泥浆泵
Series earth pump

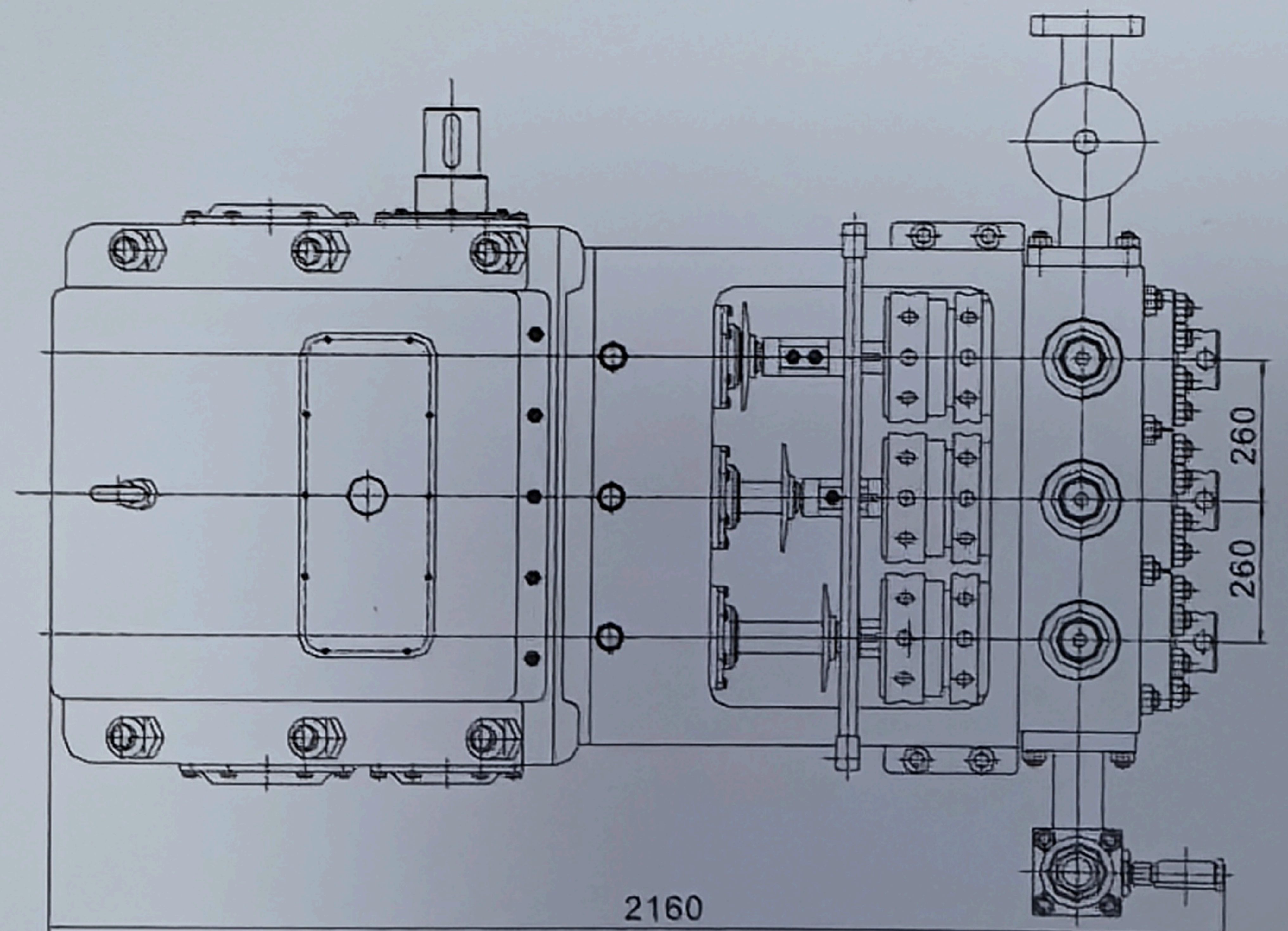
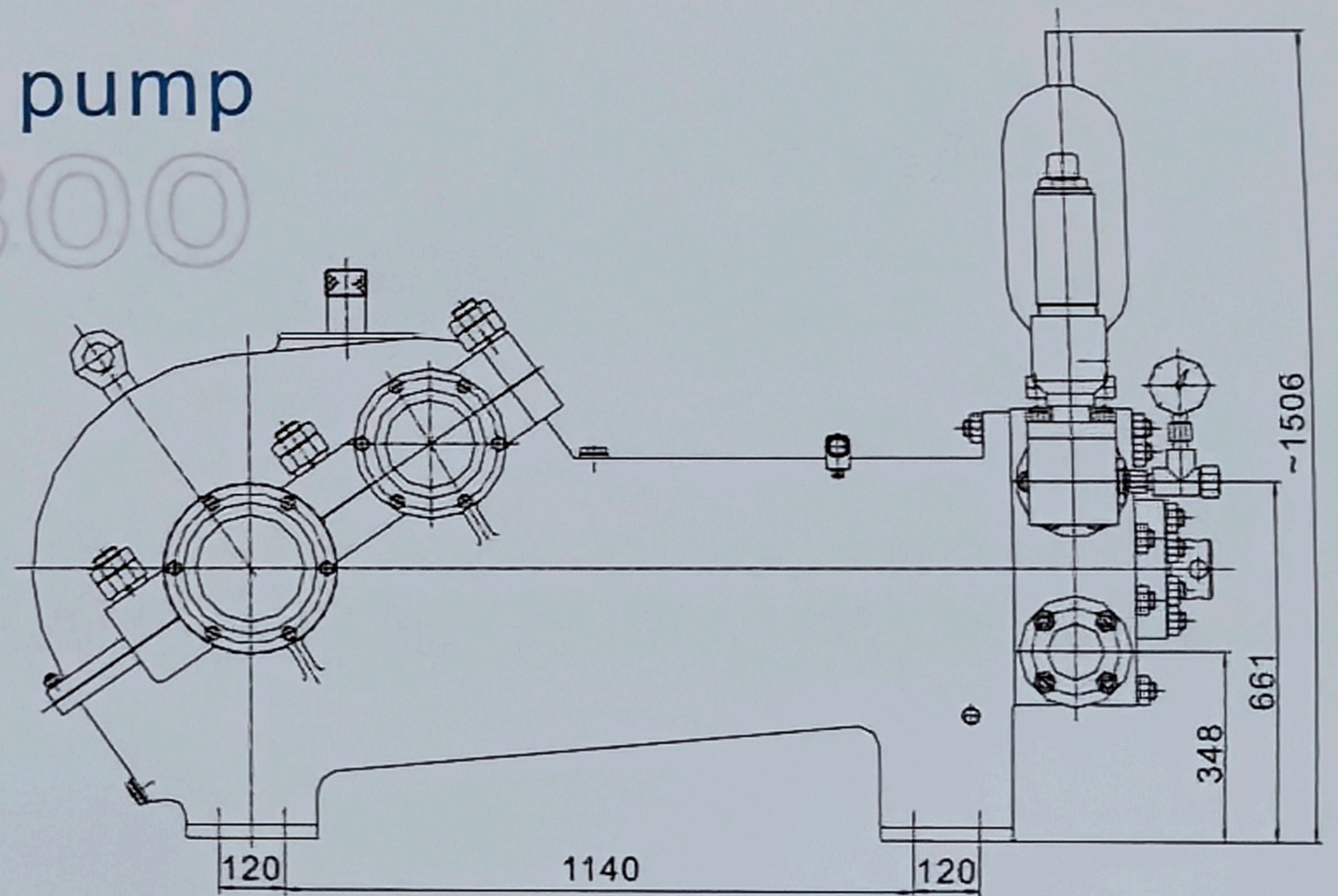
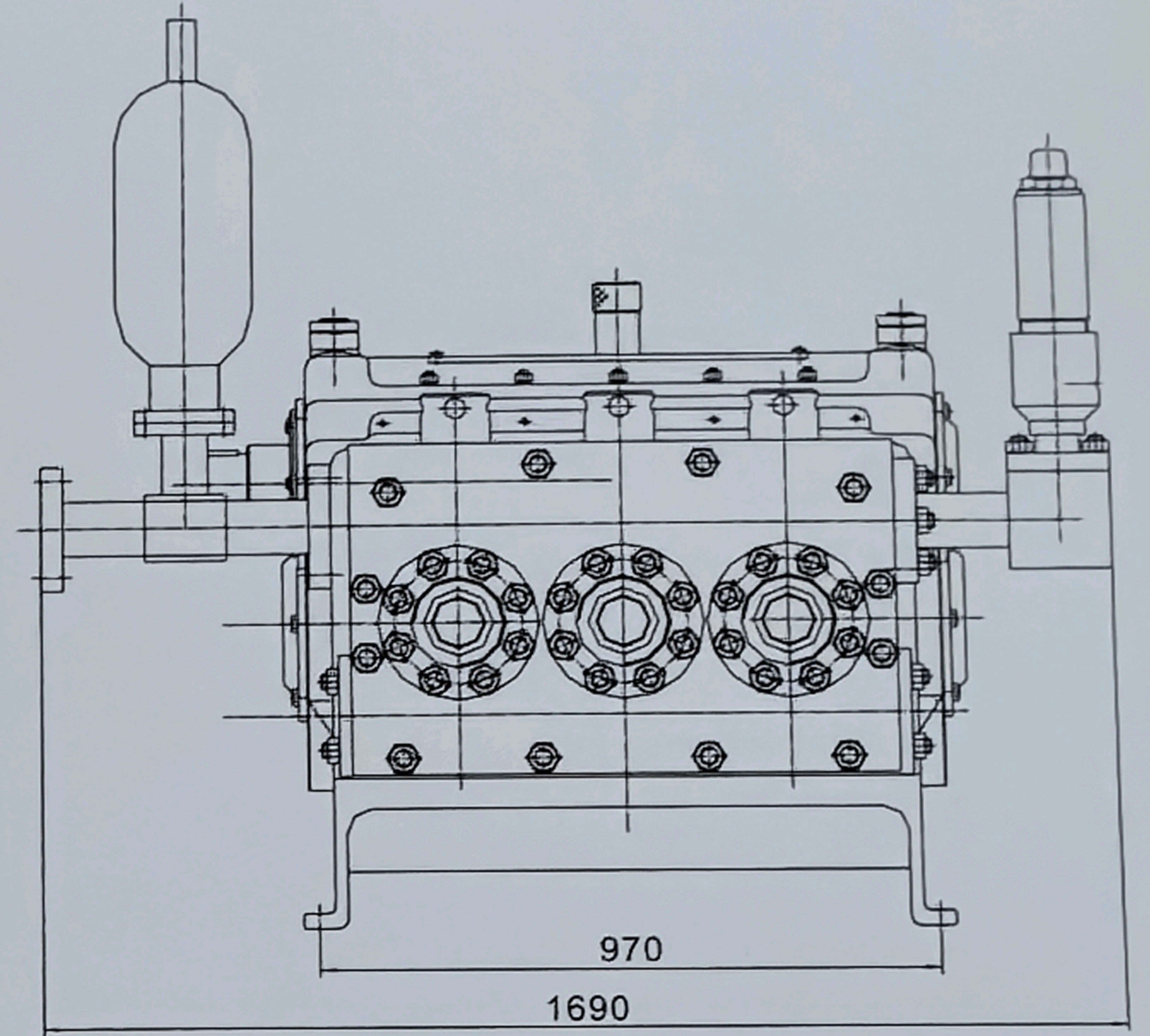
3NB300



3NB series earth pump

3NB300

3NB
系列泥浆泵





运星机械
YUNXING MECHINERY

3NB系列泥浆泵
Series earth pump

3NB300

技术规范

三缸单作用活塞式

Triplex Single Acting Piston



1. 最大缸套直径x冲程Size, Maximum Bore x Stroke 130x101mm
2. 齿轮类型Type Gear——人字齿轮Herring bone
3. 齿轮速比Gear Ratio——3.045:1
4. 润滑Lubrication——强制加飞溅Pressure & Splash
5. 额定功率Nominal Horse Power Rating 160Kw/215HP
6. 泵阀API4#
7. 重量Weights 5820kg

3NB300

TRIPLEX SINGLE ACTING PISTON

3NB300性能参数

冲数/分 STROKES PER MINUTE	额定功率 HORSE POWER RATING		缸套直径 (mm) 和额定压力 (Psi, kgf/cm ²) LINER SIZE(mm)AND PRESSURE RATING (Psi, kgf/cm ²)											
			130		130		120		110		100		90	
	kW	HP	1565	110	2034	143	2389	168	2845	200	3442	242	4239	298
			排量GPM L/S VOLUME-LITERS PER SECOND											
100	90	122	106	6.69										
100	110	150			106	6.69	90.3	5.70	75.9	4.79	62.8	3.96	51.2	3.21
120	132	179	127.4	8.04	127.4	8.04	108.6	6.85	91.1	5.75	75.4	4.76	61.1	3.85
150	132	179	159.3	10.05										
※ 150	160	218			159.3	10.05	135.7	8.56	114	7.19	94.1	5.94	76.4	4.82

注:1、按机械效率90%和容积效率100%计算。2、※推荐的冲数和连续运转时的输入功率。

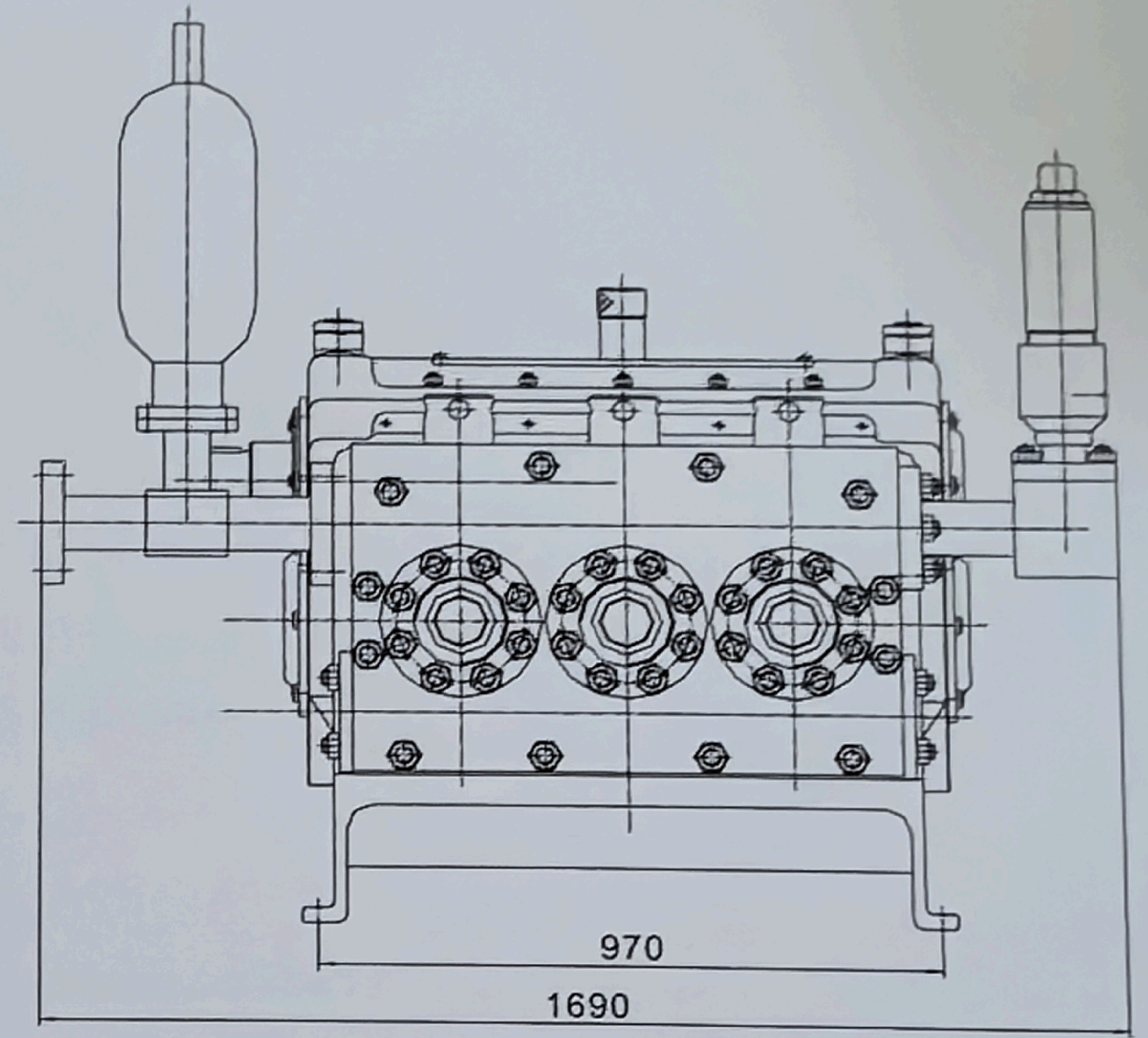
3NB系列泥浆泵
Series earth pump



运星机械
YUNXING MECHINERY

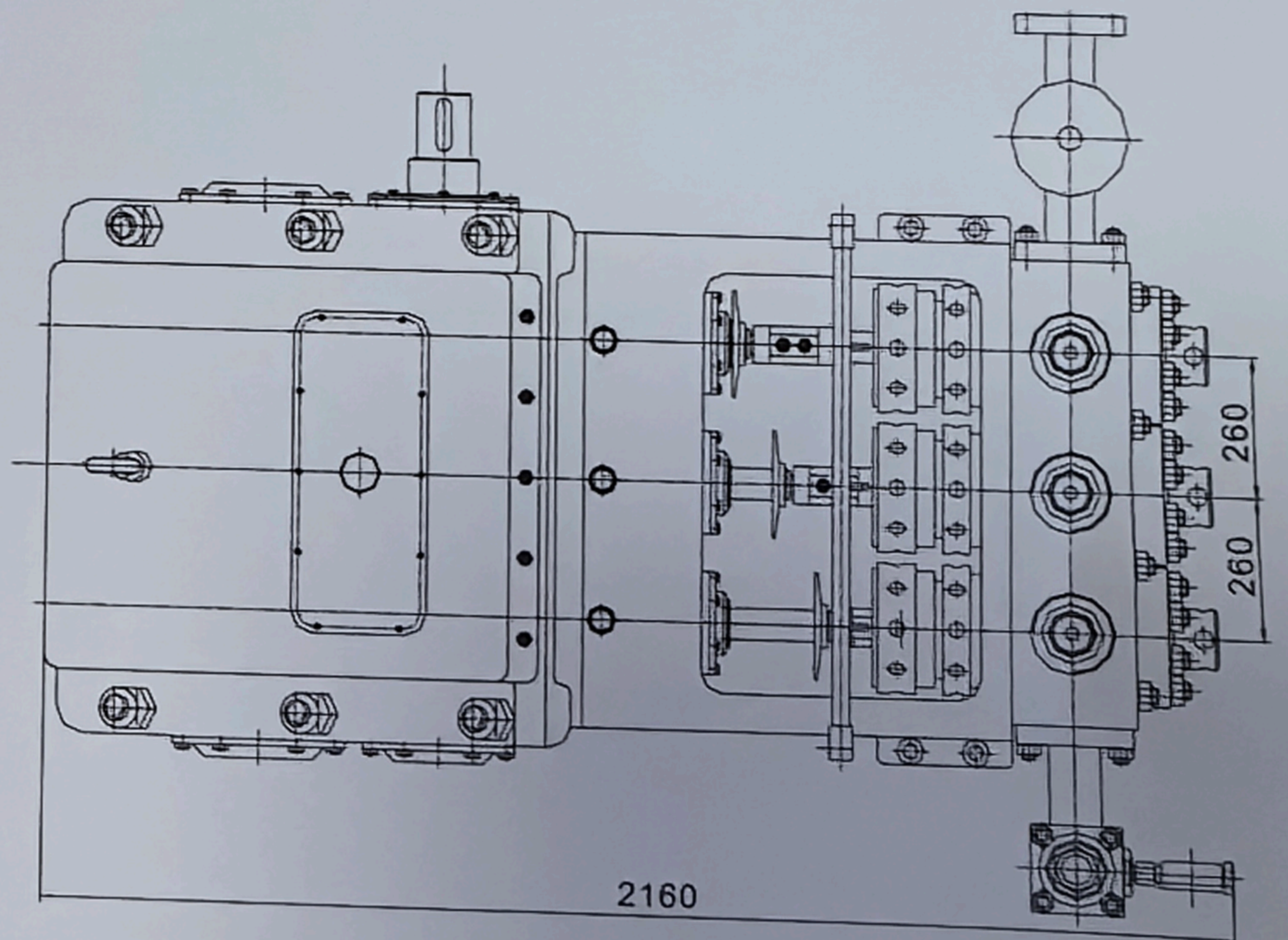
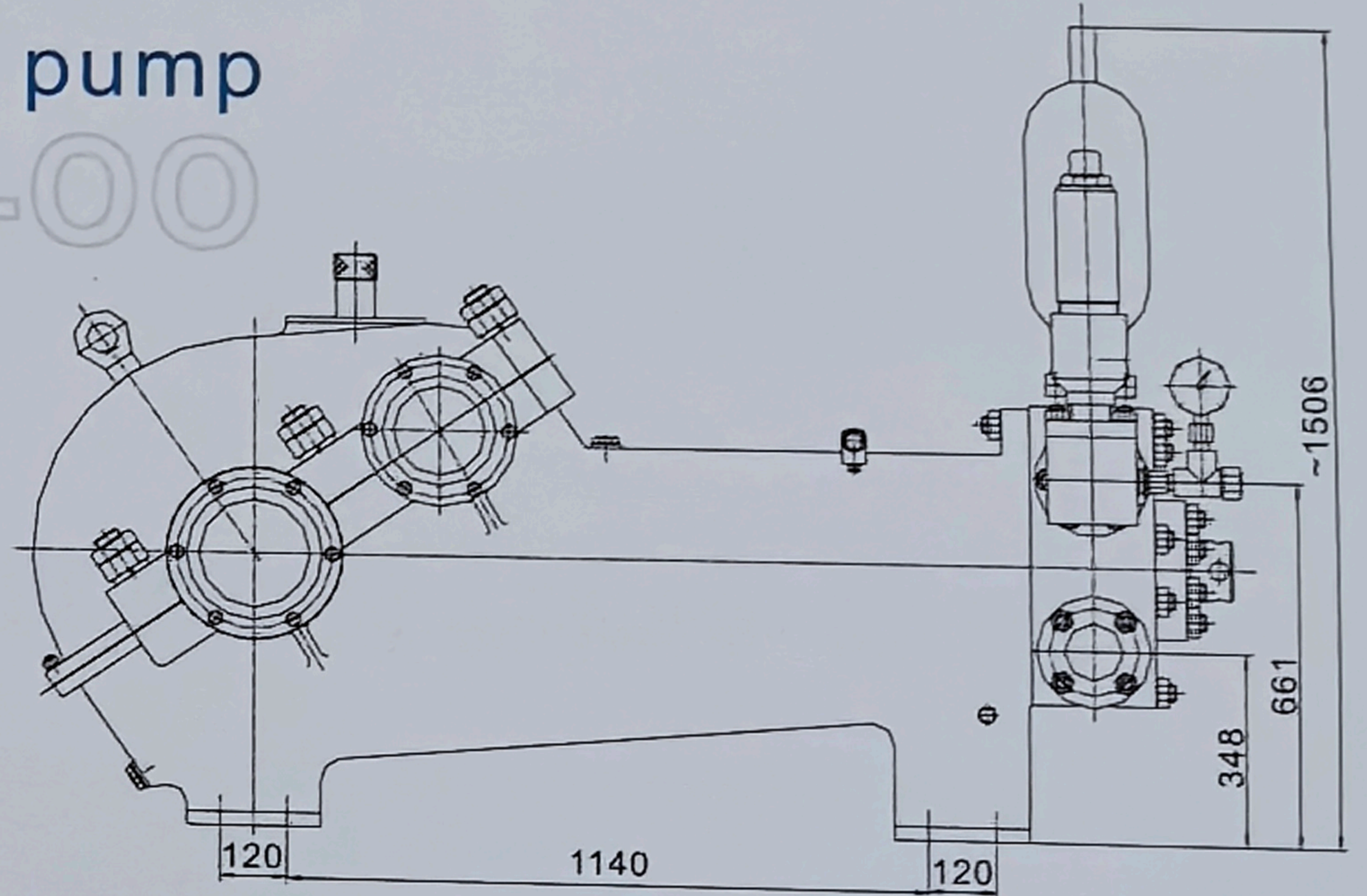
3NB400

3NB系列泥浆泵
Series earth pump



3NB series earth pump

3NB400



3NB
系列泥浆泵
Series earth pump

3NB

3NB系列泥浆泵



运星机械
YUNXING MECHINERY

3NB 系列泥浆泵
Series earth pump

3NB400

技术规范

三缸单作用活塞式

Triplex Single Acting Piston

1. 最大缸套直径x冲程Size, Maximum Bore x Stroke 130x101mm
2. 齿轮类型Type Gear——人字齿轮Herring bone
3. 齿轮速比Gear Ratio——3.045:1
4. 润滑Lubrication——强制加飞溅Pressure & Splash
5. 额定功率Nominal Horse Power Rating 195Kw/265HP
6. 泵阀API4#
7. 重量Weights 5890kg

3NB400

TRIPLEX SINGLE ACTING PISTON

3NB400 性能参数

冲数/分 STROKES PER MINUTE	额定功率 HORSE POWER RATING		缸套直径 (mm) 和额定压力 (Psi, kgf/cm ²) LINER SIZE(mm)AND PRESSURE RATING (Psi, kgf/cm ²)									
			130		120		110		100		90	
			2252	158	2643	185	3145	221	3798	268	4694	330
	KW	HP	排量GPM L/S VOLUME-LITERS PER SECOND									
100	128	175	106	6.69	90.5	5.71	75.9	4.79	62.7	3.96	50.8	3.21
120	154	209	127.3	8.04	108.6	6.85	91.1	5.75	75.3	4.75	61.1	3.85
※ 150	195	265	159.3	10.05	135.7	8.56	113.9	7.19	94.1	5.94	76.4	4.82

注:1、按机械效率90%和容积效率100%计算。2、※推荐的冲数和连续运转时的输入功率。



运星机械
YUNXING MECHINERY

3NB 系列泥浆泵
Series earth pump

3NB500

技术规范

三缸单作用活塞式

Triplex Single Acting Piston

1. 最大缸套直径x冲程Size, Maximum Bore x Stroke 177.8x190.5mm
2. 齿轮类型Type Gear——人字齿轮Herring bone
3. 齿轮速比Gear Ratio——4.296:1
4. 润滑Lubrication——强制加飞溅Pressure & Splash
5. 额定功率Nominal Horse Power Rating 410Kw/550HP
6. 泵阀: API5#
7. 重量Weights 9000kg

3NB500

TRIPLEX SINGLE ACTING PISTON

3NB500 性能参数

冲数/分 STROKES PER MINUTE	额定功率 HORSE POWER RATING		缸套直径in (mm) 和额定压力 (Psi, kgf/cm ²) LINER SIZE(mm)AND PRESSURE RATING (Psi, kgf/cm ²)													
			4" (101.6)		4.5" (114.3)		5" (127)		5.5" (139.7)		6" (152.4)		6.5" (165.1)		7" (177.8)	
			4523	318	3598	253	2901	204	2389	168	2019	142	1721	121	1479	104
	KW	HP	排量GPM L/S VOLUME-LITERS PER SECOND													
160	405	550	195	12.3	248	15.6	306	19.3	369	23.3	441	27.8	517	32.6	599	37.8
※ 145	368	500	178	11.2	225	14.2	277	17.5	336	21.2	399	25.2	469	29.6	544	34.3
135	300	408	165	10.4	209	13.2	258	16.3	312	19.7	371	23.4	436	27.5	506	31.9
125	278	378	152	9.6	193	12.2	239	15.1	288	18.2	344	21.7	404	25.5	468	29.5
110	245	333	135	8.5	170	10.7	211	13.3	254	16.1	303	19.1	355	22.4	412	26

注:1、按机械效率90%和容积效率100%计算。2、※推荐的冲数和连续运转时的输入功率。

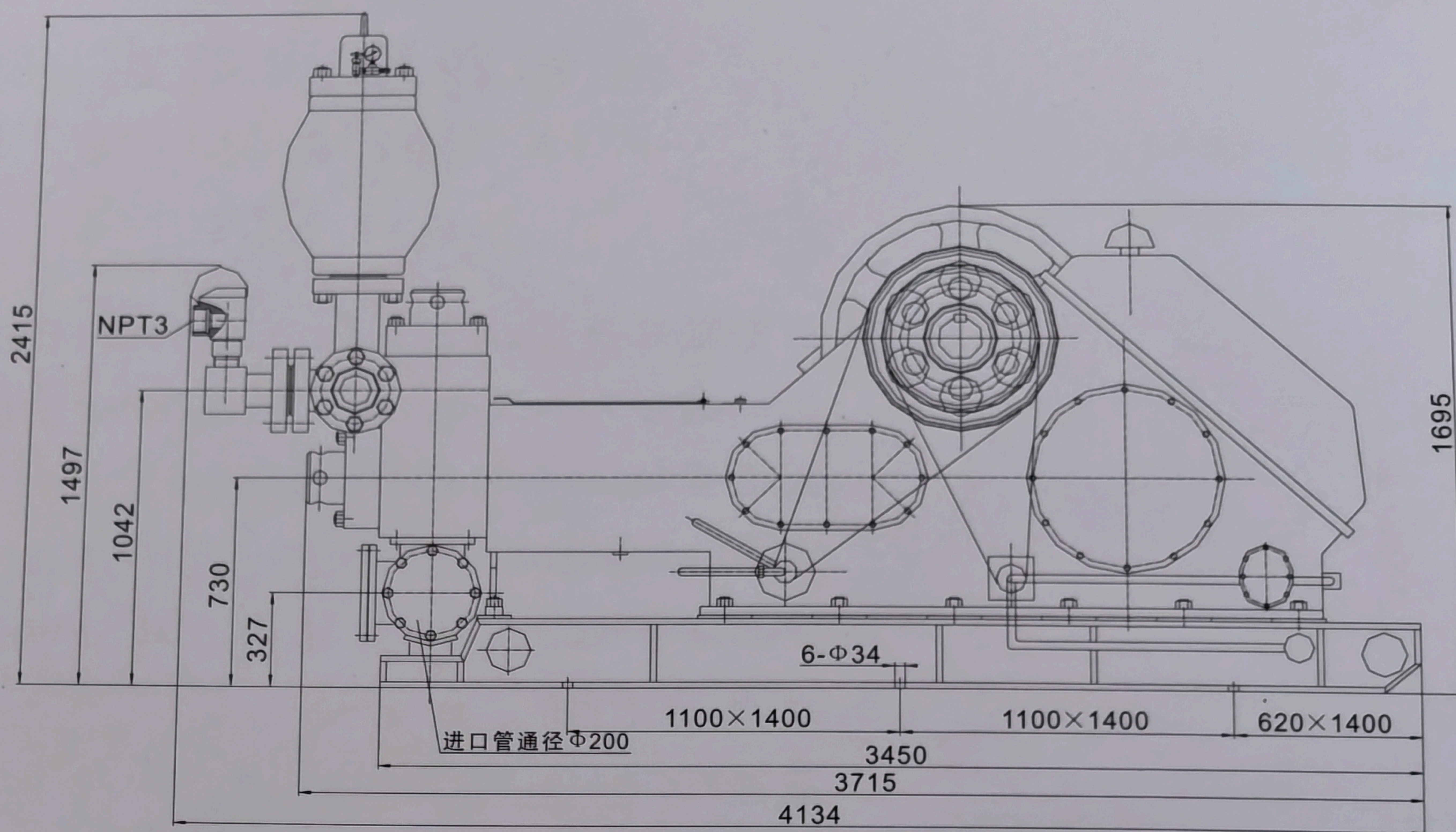
3NB 系列泥浆泵
Series earth pump



运星机械
YUNXING MECHINERY

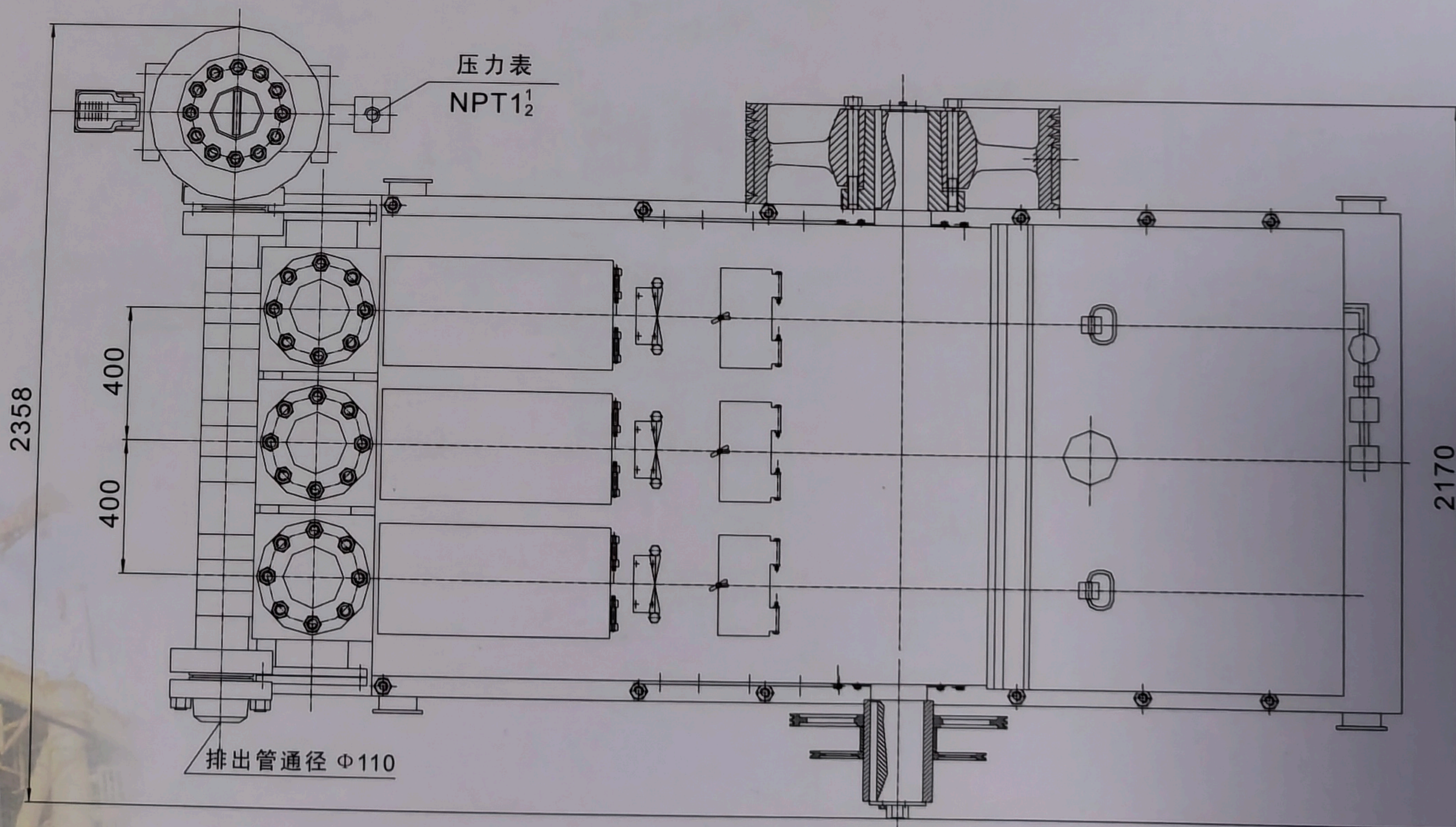
3NB系列泥浆泵
Series earth pump

3NB600



3NB series earth pump

3NB600



3NB系列泥浆泵
series earth pump

3NB系列泥浆泵



运星机械
YUNXING MECHINERY

3NB系列泥浆泵
Series earth pump

3NB600

技术规范

三缸单作用活塞式

Triplex Single Acting Piston

1. 最大缸套直径x冲程Size, Maximum Bore x Stroke 177.8x250mm
2. 齿轮类型Type Gear---人字齿轮Herring bone
3. 齿轮速比Gear Ratio---4.069:1
4. 润滑Lubrication---强制加飞溅Pressure & Splash
5. 额定功率Nominal Horse Power Rating 445Kw/600HP
6. 泵阀: API6#
7. 重量Weights 13000kg

3NB600

TRIPLEX SINGLE ACTING PISTON

3NB600 性能参数

冲数/分 STROKES PER MINUTE	额定功率 HORSE POWER RATING		缸套直径in (mm) 和额定压力 (Psi, kgf/cm ²) LINER SIZE(mm)AND PRESSURE RATING (Psi, kgf/cm ²)													
			4" (101.6)		4.5" (114.3)		5" (127)		5.5" (139.7)		6" (152.4)		6.5" (165.1)		7" (177.8)	
			4558	314.3	3581	242.3	2900	200	2404	165.8	2021	139.4	1720	118.6	1513	102.3
	KW	HP	排量GPM L/S VOLUME-LITERS PER SECOND													
135	475	646	215	13.6	274	17.3	339	21.4	409	25.8	486	30.7	570	36.0	662	41.8
※ 125	441	600	200	12.6	253	16.0	314	19.8	379	23.9	452	28.5	529	33.4	613	38.7
110	386	525	176	11.1	223	14.1	276	17.4	333	21	396	25.0	464	29.3	539	34.0
95	334	454	152	9.6	193	12.2	238	15.0	287	18.1	342	21.6	401	25.3	464	29.3
85	295	400	135	8.5	173	10.9	212	13.4	257	16.2	306	19.3	358	22.6	415	26.2

注:1、按机械效率90%和容积效率100%计算。2、※推荐的冲数和连续运转时的输入功率。

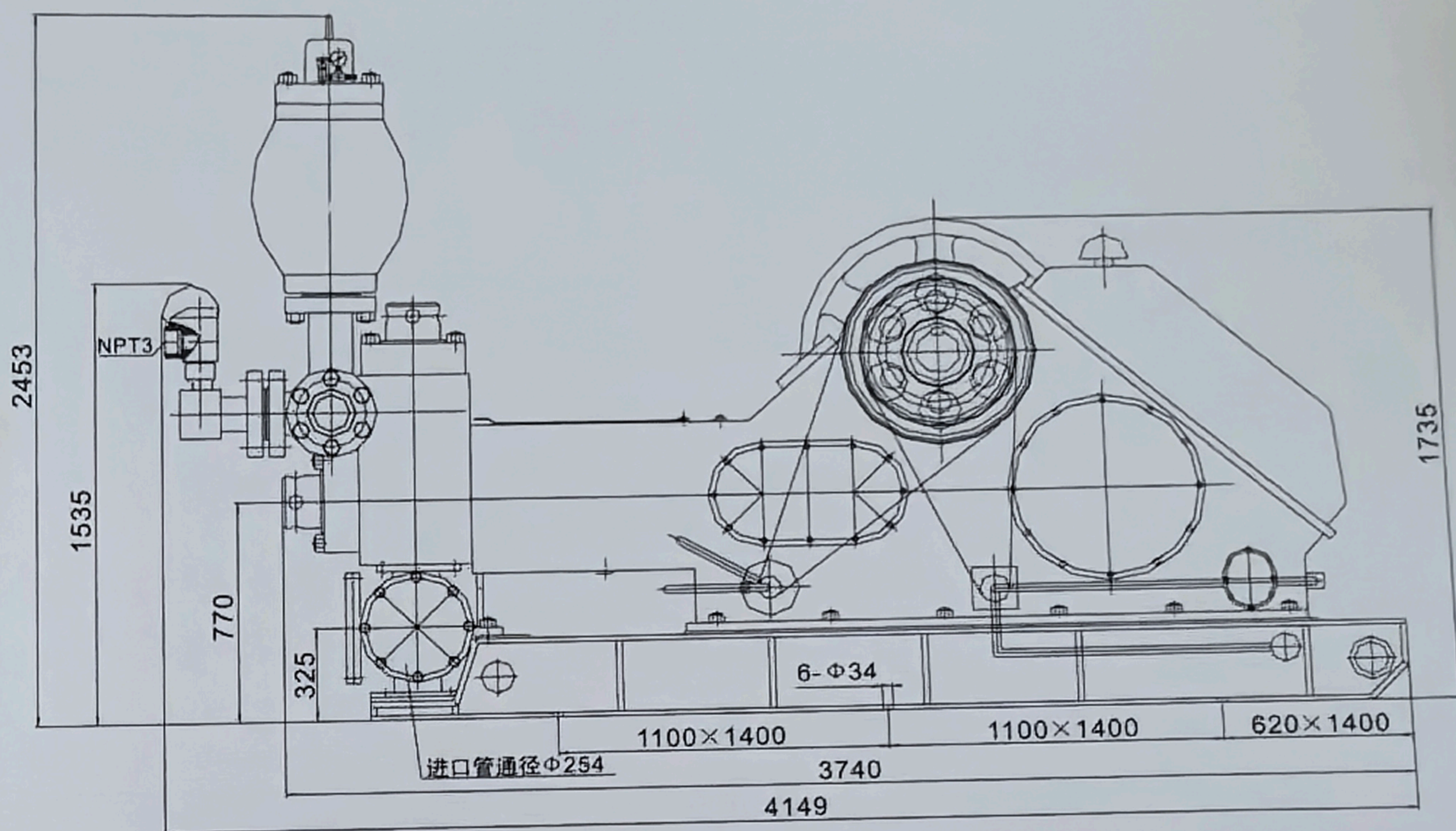
3NB系列泥浆泵
Series earth pump



运星机械
YUNXING MECHINERY

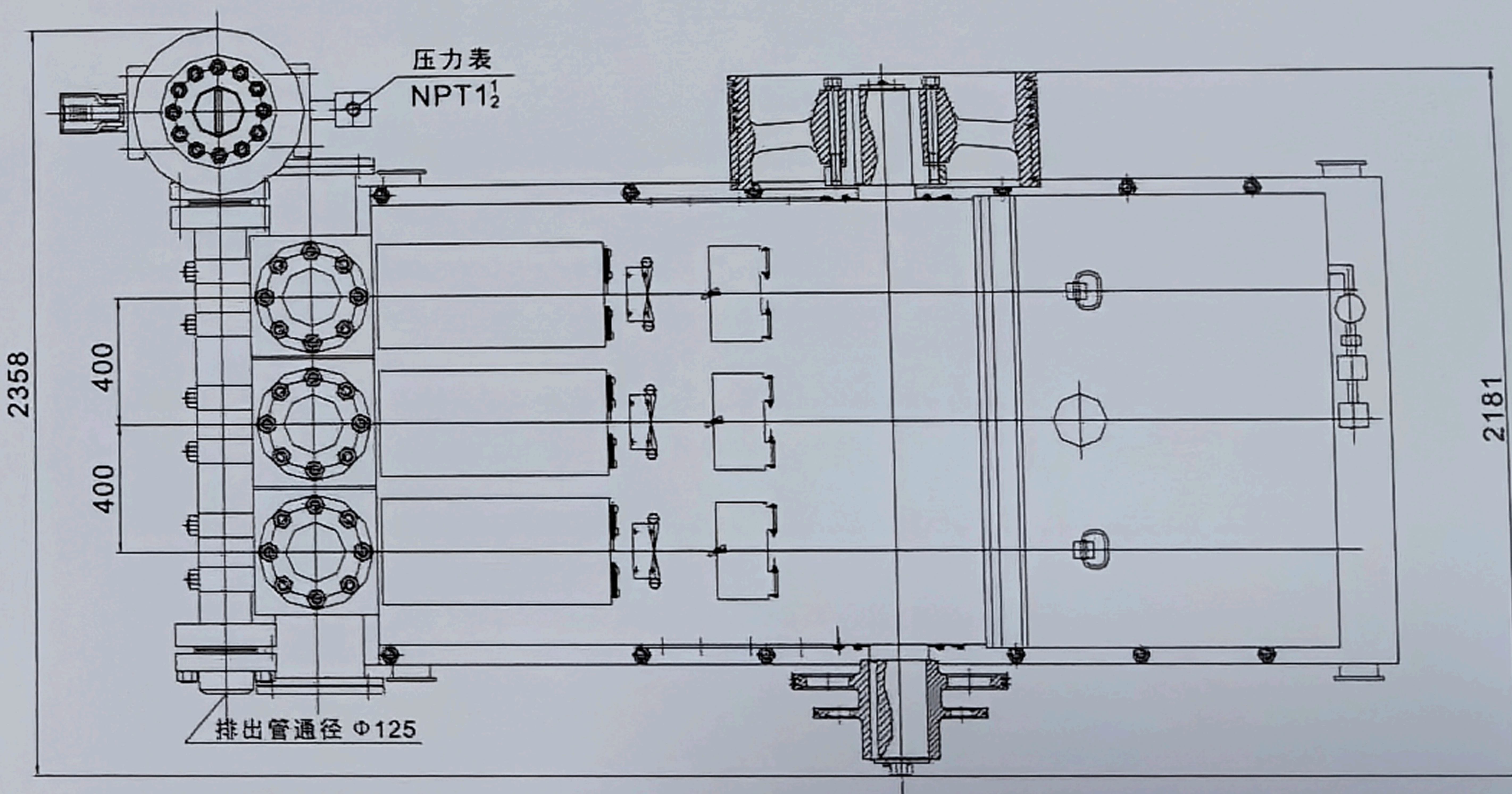
3NB 系列泥浆泵
Series earth pump

3NB800



3NB series earth pump

3NB800



3NB 系列泥浆泵
series earth pump

3NB 系列泥浆泵



运星机械
YUNXING MECHINERY

3NB系列泥浆泵
Series earth pump

3NB800 技术规范

三缸单作用活塞式 Triplex Single Acting Piston

1. 最大缸套直径x冲程Size, Maximum Bore x Stroke 177.8x250mm
2. 齿轮类型Type Gear---人字齿轮Herring bone
3. 齿轮速比Gear Ratio---4.069:1
4. 润滑Lubrication---强制加飞溅Pressure & Splash
5. 额定功率Nominal Horse Power Rating 595Kw/800HP
6. 泵阀: API6#
7. 重量Weights 14600kg

3NB800

TRIPLEX SINGLE ACTING PISTON

3NB800 性能参数

冲数/分 STROKES PER MINUTE	额定功率 HORSE POWER RATING		缸套直径in (mm) 和额定压力 (Psi, kgf/cm ²) LINER SIZE(mm)AND PRESSURE RATING (Psi, kgf/cm ²)													
			4" (101.6)		4.5" (114.3)		5" (127)		5.5" (139.7)		6" (152.4)		6.5" (165.1)		7" (177.8)	
			6046	418.2	4769	328.9	3859	266	3199	220.6	2688	185.4	2289	157.9	1974	136.1
	KW	HP	排量GPM L/S VOLUME-LITERS PER SECOND													
135	632	860	215	13.6	274	17.3	339	21.4	409	25.8	486	30.7	570	36.0	662	41.8
※ 125	588	800	200	12.6	253	16.0	314	19.8	379	23.9	452	28.5	529	33.4	613	38.7
110	511	695	176	11.1	223	14.1	276	17.4	333	21	396	25.0	464	29.3	539	34.0
95	440	600	152	9.6	193	12.2	238	15.0	287	18.1	342	21.6	401	25.3	464	29.3

注:1、按机械效率90%和容积效率100%计算。2、※推荐的冲数和连续运转时的输入功率。

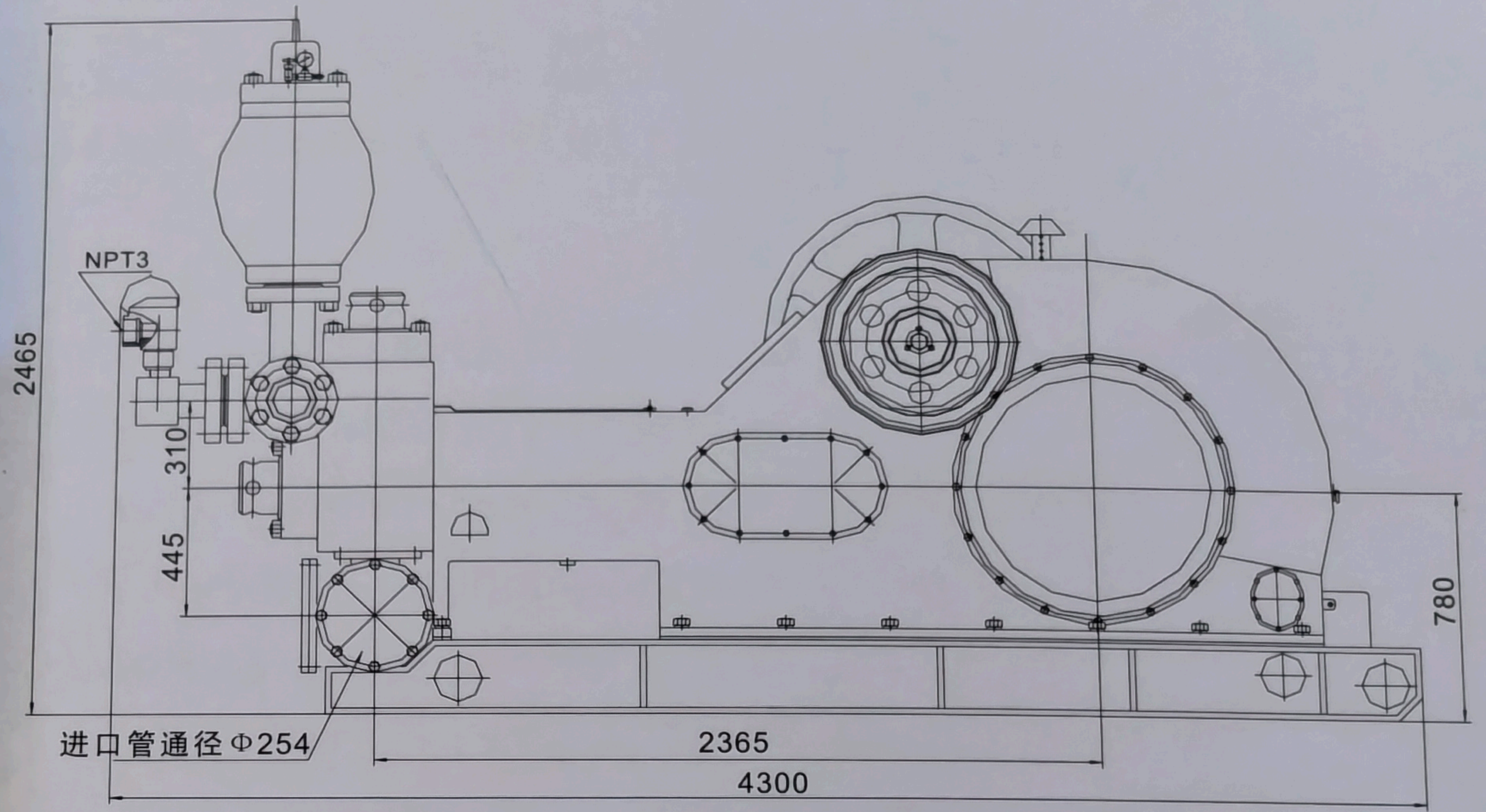
3NB系列泥浆泵
Series earth pump



运星机械
YUNXING MECHINERY

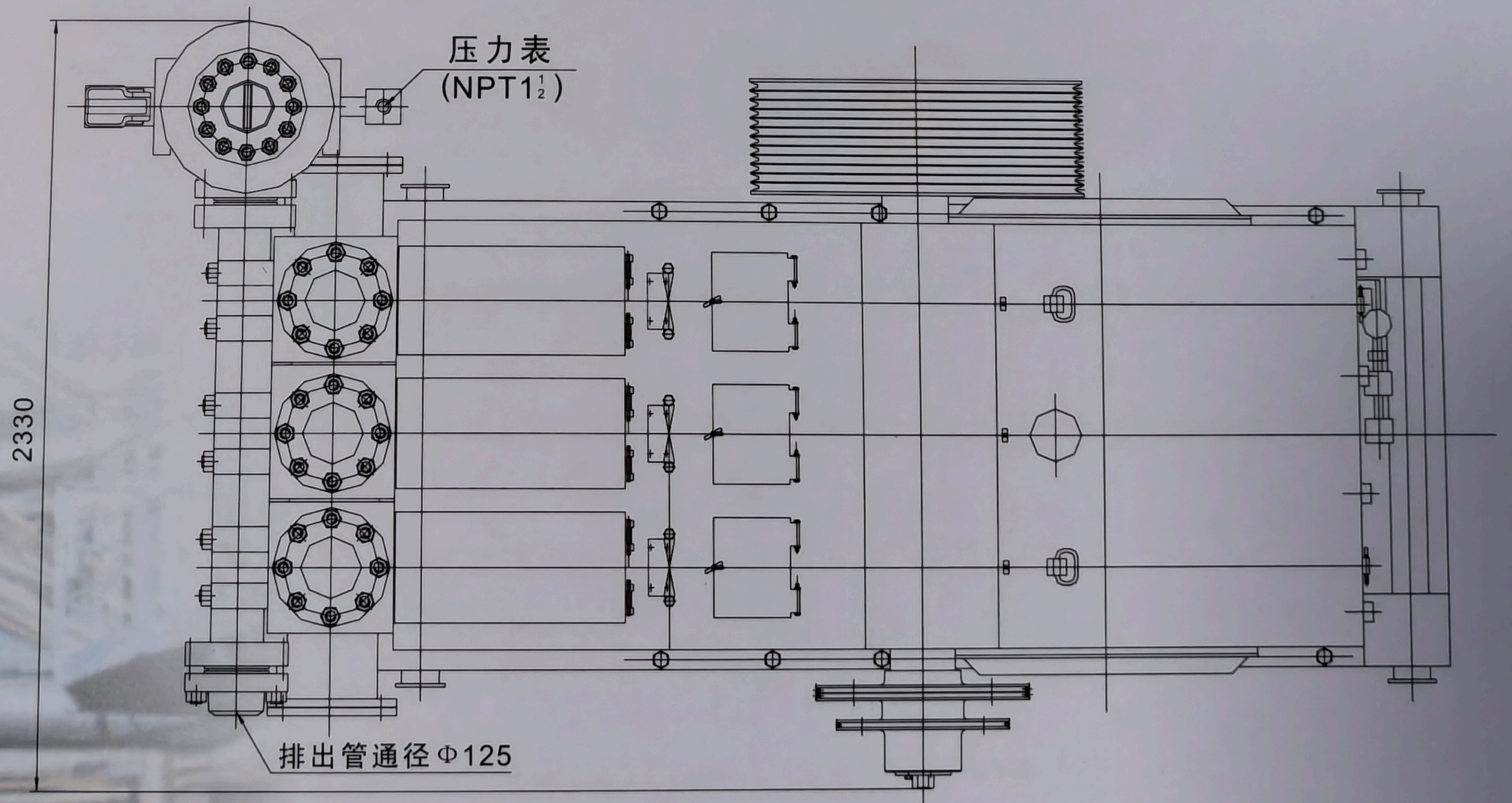
3NB系列泥浆泵
Series earth pump

3NB1000



3NB series earth pump

3NB1000



3NB系列泥浆泵
3NB series earth pump

3NB系列泥浆泵
Series earth pump

3NB



运星机械
YUNXING MECHINERY

3NB 系列泥浆泵
Series earth pump

3NB1000

技术规范

三缸单作用活塞式

Triplex Single Acting Piston

1. 最大缸套直径x冲程Size, Maximum Bore x Stroke 177.8x250mm
2. 齿轮类型Type Gear---人字齿轮Herring bone
3. 齿轮速比Gear Ratio---4.069:1
4. 润滑Lubrication---强制加飞溅Pressure & Splash
5. 额定功率Nominal Horse Power Rating 735Kw/1000HP
6. 泵阀: API7#
7. 重量Weights 16800kg

3NB1000

TRIPLEX SINGLE ACTING PISTON

3NB1000 性能参数

冲数/分 STROKES PER MINUTE	额定功率 HORSE POWER RATING		缸套直径in (mm) 和额定压力 (Psi, kgf/cm ²) LINER SIZE(mm)AND PRESSURE RATING (Psi, kgf/cm ²)													
			4" (101.6)		4.5" (114.3)		5" (127)		5.5" (139.7)		6" (152.4)		6.5" (165.1)		7" (177.8)	
	kW	HP	7012	493	5547	390	4495	316	3712	261	3115	219	2660	187	2290	161
			排量GPM L/S VOLUME-LITERS PER SECOND													
145	788	1072	232.6	14.68	294.5	18.58	363.6	22.94	432.1	27.26	523.7	33.04	614.7	38.78	712.9	44.98
※ 135	735	1000	216.7	13.67	274.2	17.30	338.6	21.36	409.7	25.85	487.5	30.76	572.2	36.10	663.6	41.87
125	680	925	200.7	12.66	253.9	16.02	313.5	19.78	379.3	23.93	451.4	28.48	529.8	33.43	614.5	38.77
115	625	850	184.5	11.64	233.6	14.74	288.5	18.20	349.0	22.02	415.4	26.21	487.5	30.76	565.4	35.67
105	570	775	168.5	10.63	213.3	13.46	263.3	16.61	318.6	20.10	379.3	23.93	445.1	28.08	516.2	32.57

注:1、按机械效率90%和容积效率100%计算。2、※推荐的冲数和连续运转时的输入功率。

3NB 系列泥浆泵
Series earth pump